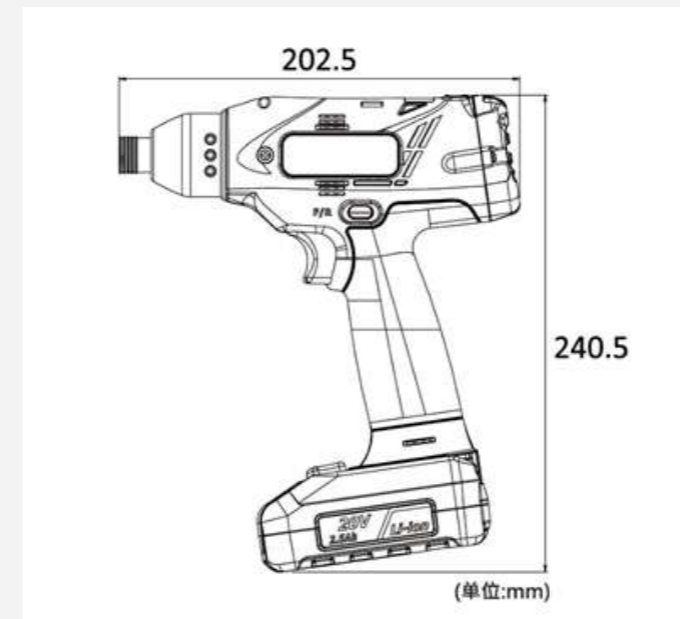


SCW Series Battery Torque Wrench Gun



Product description:

Model: SCW-P008H/SCW-P008S/SCW-P012H/SCW-P012S/SCW-P016H/SCW-P016S

Voltage(V): 20

Drive head(inch): 1/4"Hex/3/8"Sq

Applicable bolts(mm): M4-M5/M4-M6/M5-M6

Torque range(Nm): 3-8/4-12/5-16

Torque range(ft-lb): 2.2-5.9/3-8.9/3.7-11.8

No-load speed(rpm): 220-1100/150-750/100-500

Weight: 1.01 kg | 2.23 lb

Manufacturer: SAIVS

Country of Origin: China

Minimum Order: 1 Piece

Model	Voltage(V)	Drive head(inch)	Applicable bolts(mm)	Torque range(Nm)	Torque range(ft-lb)	No-load speed(rpm)	Noise level(dB(A))	Weight(kg)	Weight(lb)
SCW-P008H	20	1/4"Hex	M4-M5	3-8	2.2-5.9	220-1100	<75	1.01	2.23
SCW-P008S	20	3/8"Sq	M4-M5	3-8	2.2-5.9	220-1100	<75	1.01	2.23
SCW-P012H	20	1/4"Hex	M4-M6	4-12	3.0-8.9	150-750	<75	1.01	2.23
SCW-P012S	20	3/8"Sq	M4-M6	4-12	3.0-8.9	150-750	<75	1.01	2.23
SCW-P016H	20	1/4"Hex	M5-M6	5-16	3.7-11.8	100-500	<75	1.01	2.23
SCW-P016S	20	3/8"Sq	M5-M6	5-16	3.7-11.8	100-500	<75	1.01	2.23

*Weight (without battery)