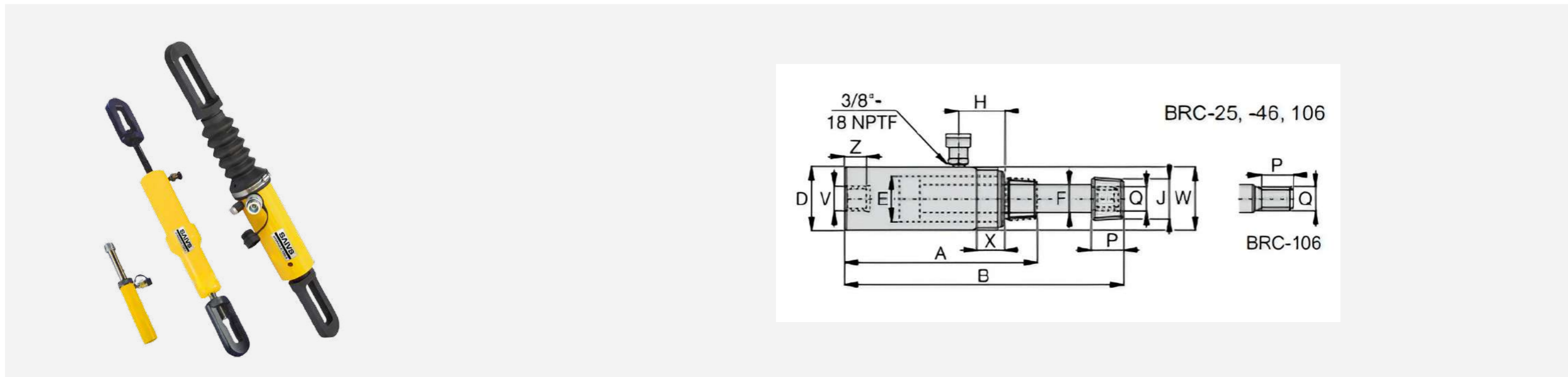


BRC 2.5/5/10 Ton 127/140/151 mm Pull Hydraulic Cylinder



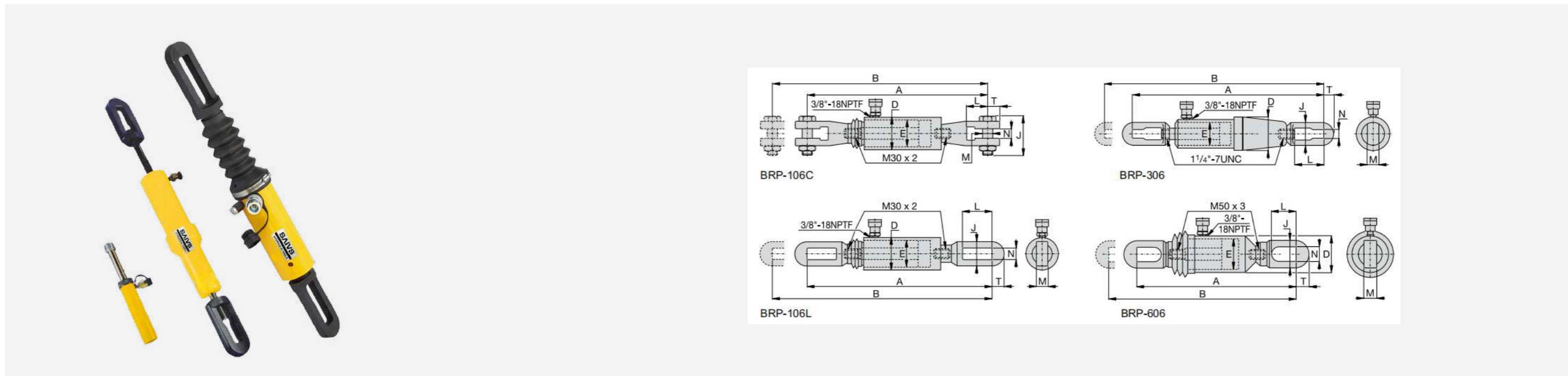
Product description:

Model Number: BRC25/BRC46/BRC106
 Capacity: 2.5/5/10 ton/24/51/105 KN
 Stroke: 127/140/151 mm/5/5.5/6.1 in
 Maximum Operating Pressure : 700 bar / 10000 PSI
 Weight: 1.8-9.5 kg/4-21 lbs
 Oil Capacity: 45-228 cm³/2.76-13.8 in³
 Material: Steel
 Minimum Order: 1 Piece
 Manufacturer: SAIVS
 Country of Origin: China

Model Number	Base Mounting Hole	Collar Thread	Collar Thd. Lgth.	Mtg. Thd. Lgth.
BRC25	3/4"-14 NPT	1 1/2"-16 UN	24	17
BRC46	1 1/4"-11 1/2 NPT	2 1/4"-14 UN	26	24
BRC106	M30 x 2	M85 x 2	25	24

Model Number	Cylinder Capacity	Stroke	Cyl. Effect. Area	Oil Cap.	Coll. Height	Ext. Height	Outs. Dia.	Cyl. Bore Dia.	Plgr. Dia.	Top to Inlet Port	Saddle Diameter	Plgr. Thd. Lgth.	Plunger Outside Thread	Weight
	ton (kN)	(mm)	(cm ²)	(cm ³)	A (mm)	B (mm)	D (mm)	E (mm)	F (mm)	H (mm)	J (NPT)	P (mm)	Q	
BRC25	2.5 (24)	127	3.5	45	264	391	48	28.4	19	45	3/4"-14	28	1 1/8"-24	1.8
BRC46	5 (51)	140	7.3	101	301	441	57	42.9	30.2	42	1 1/4"-11 1/2	32	1 5/8"-16	4.5
BRC106	10 (105)	151	15	228	289	440	85	54.1	31.8	39	-	25	M30x2	9.5

BRP 10/30/50 ton 151/152/155 mm Pull Hydraulic Cylinder



Product description:

Model Number: BRP106C/BRP106L/BRP306/BRP606

Capacity: 10/30/50 ton/105/326/505 KN

Stroke: 151/152/155 mm/5.9/6/6.1 in

Maximum Operating Pressure: 700 bar/10000 PSI

Weight: 15.9-53.5 kg/35.1-118 lbs

Oil Capacity: 227-1096 cm³/13.9-67 in³

Material: Steel

Minimum Order: 1 Piece

Manufacturer: SAIVS

Country of Origin: China

Model Number	Cylinder Capacity ton (kN)	Stroke (mm)	Cyl. Effect. Area (cm ²)	Oil Cap. (cm ³)	Coll. Height A (mm)	Ext. Height B (mm)	Outside Dia. D (mm)	Cyl. Bore Dia. E (mm)	Link Height J (mm)	Link Opening L (mm)	Link Thickness M (mm)	Link Width N (mm)	Slot to Link End T (mm)	Weight
BRP106C	10 (105)	151	15	227	587	738	85	54.1	119	62	30	35	32	15.9
BRP106L	10 (105)	151	15	227	541	692	85	54.1	67	115	22	30	32	13.2
BRP306	30 (326)	155	46.6	722	1085	1240	136	88.9	114	145	35	39	50	48.1
BRP606	50 (505)	152	72.1	1096	719	871	140	110	130	149	39	50	70	53.5

*Available as set, see note on previous page. NOTE: BRP-106C, BRP-106L and BRP-606 are fitted with rubber bellows for rod protection.