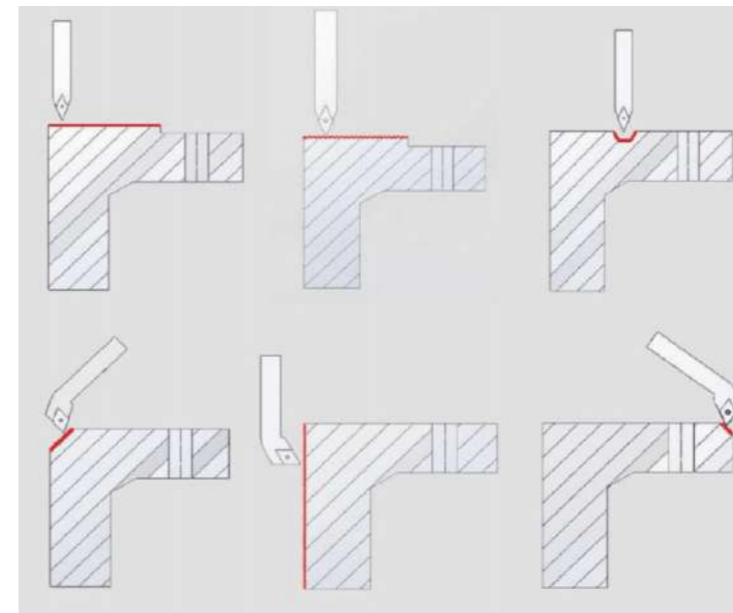
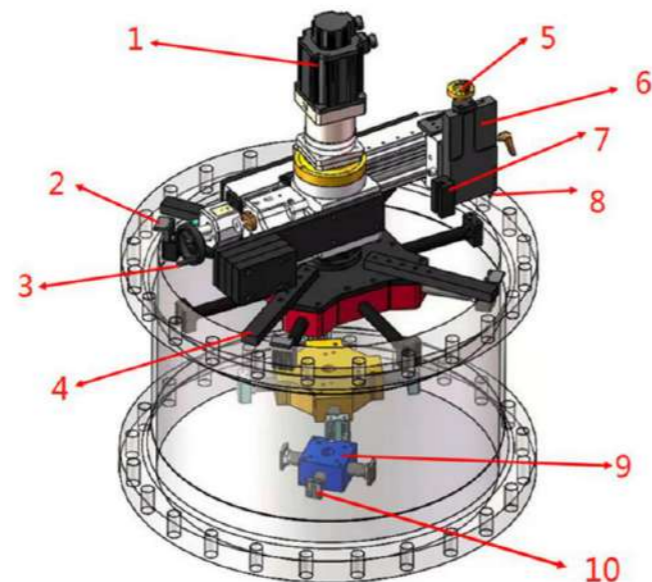


Flange Facing Machine for Facing Range 50-3000mm



Model: SFP/SFS
Spec.: 610-3000
Facing Range(O.D): 50-3000 mm (1.97-118.11 inches)
Mounting Range(I.D): 50-2800 mm
Tool Feed Stroke: 50-102 mm
Rotation Speed: 0-42 r/min
Air pressure: 0.8-1.0Mpa
Airconsumption: 2000L/min
Voltage: 1PH 220V
Frequency: 50Hz
Powersupply: 750-2000w
Country of Origin: China

The flange face processing machine is a high-precision and high-efficiency machine. The machine uses the latest linear and ball screw technology. The machine adopts an internal clamping method with a small working radius. It is fixed in the middle of a pipe or flange. It is used to process the inner hole, outer circle, flange end face, and various forms of sealing surfaces (RF, RTJ, etc.) of the flange, seal groove processing, etc.



Model	Spec.	Facing Range(O.D)	Mounting Range(I.D)	Tool Feed Stroke	Tool holder Swivel Angle	Rotation Speed
	610	50-610mm	50-508mm	50mm	+ -30°	0-42r/min
SFP	1000	160-1000mm	158-820mm	102mm	+ -30°	0-33r/min
SFS	1650	500-1650mm	500-1500mm	102mm	+ -30°	0-22r/min
	2000	690-2200mm	690-2000mm	102mm	+ -360°	0-20r/min
	3000	1150-3000mm	1120-2800mm	102mm	+ -360°	3-12r/min

**Note:Pneumatic(SFP)
Servo Motor-Electric(SFS)**

No	Parts Name	No	Parts Name
1	Servo Motor	6	Tool holder
2	Slight Adjustment Block	7	Blades holder
3	Transverse Feed Handle	8	Blades
4	Balance Ruler	9	Expansion Block Base
5	Longitudinal Feed Handle	10	Expansion Block